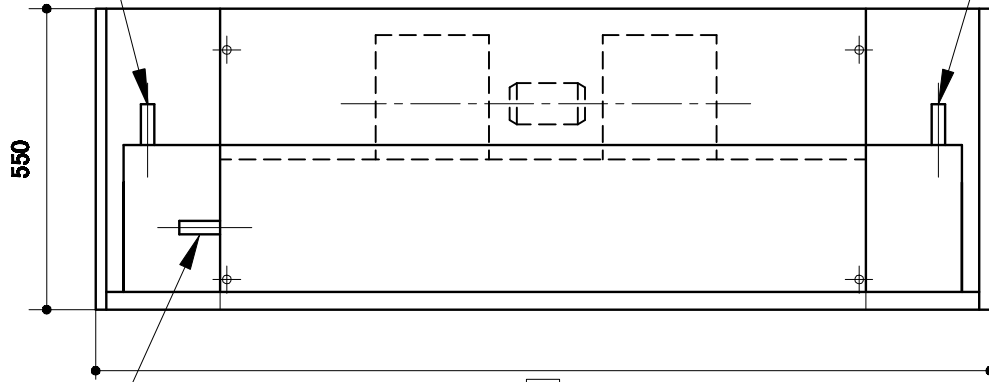


DRAIN CONN
3/4"ø

DRAIN CONN
3/4"ø

A →

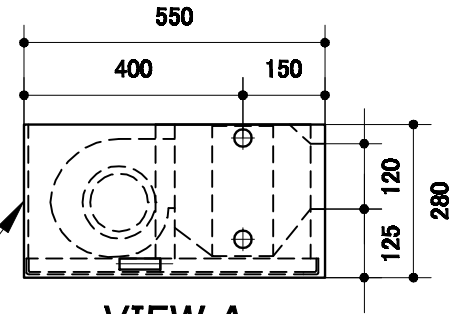


COIL CONN
3/4"ø

A

PANEL FILTER

VIEW A



MODEL NO	AIR FLOW L/S (NOM)		DIMENSIONS (mm)	NUMBER OF		NET WT (kg)
	HS	LS	A	FAN	MOTOR	
CFPC 300	210	170	1052	1	1	29
CFPC 400	320	270	1228	2	1	37
CFPC 600	380	330	1356	2	1	40
CFPC 800	490	400	1636	2	1	47
CFPC 1000	570	500	1813	3	2	57
CFPC 1200	720	640	2068	4	2	64
CFPC 1400	870	730	2246	4	2	68

NOTE : HS - HIGH STA TIC MODEL, LS - LOW STA TIC MODEL

CFPC

GJ.WALKER 2B GLASS ST RICHMOND
Ph(03)9429 9811
Air Handling Systems Fax(03)9429 1344