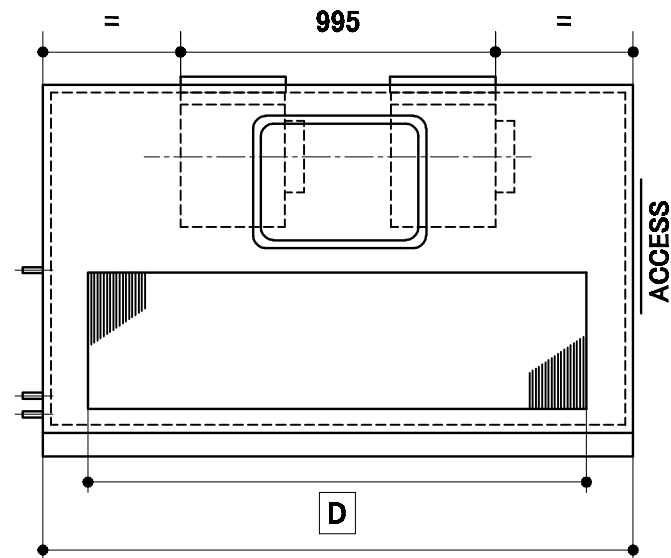


VIEW A

ALVS 5, ALVS 7, ALVS10



VIEW A

ALVS 15, ALVS 20

MODEL NO	AIR FLOW L/S (NOM.)	DIMENSIONS (mm)				NUMBER OF		NET WT (kg)
		A	B	C	D	FAN	MOTOR	
ALVS 5	500	950	260	230	660	1	1	120
ALVS 7	700	1180	260	300	890	1	1	140
ALVS 10	1,000	1485	290	330	1195	1	1	180
ALVS 15	1,500	1865	290	965	1575	2	2	220
ALVS 20	2,000	2300	290	965	2030	2	2	270

ALVS

GJ.WALKER 2B GLASS ST RICHMOND
Ph(03)9429 9811
Air Handling Systems Fax(03)9429 1344